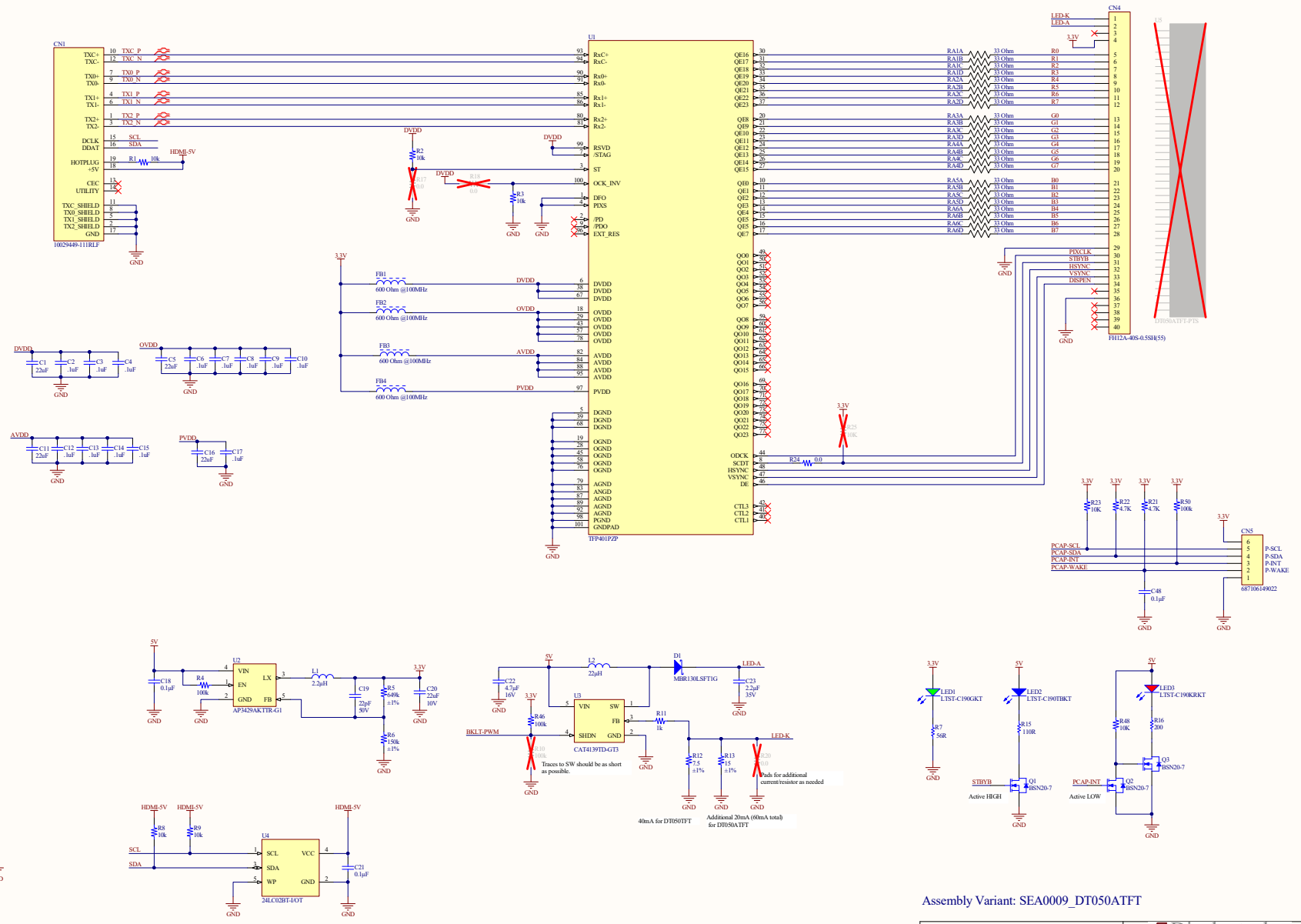


REVISION HISTORY			
REV	DESCRIPTION	INITIALS	DATE
A1	INITIAL RELEASE	PRW	1/30/2019



Assembly Variant: SEA0009_DT050ATFT

Project: SEA0009			
Title: SEA0009_CAD_SCH_REV04_SHT1.SchDoc			
Size: A2	Doc Number: 1	Revision: A4	Drawn By: PRW
Date: 3/11/2019	Time: 4:52:47 PM	Sheet: 1 of 1	Approved:
Date:			SEACOMP Displaytech 2546 Gateway Road Carlsbad, CA 92009 USA